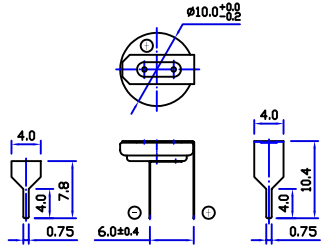
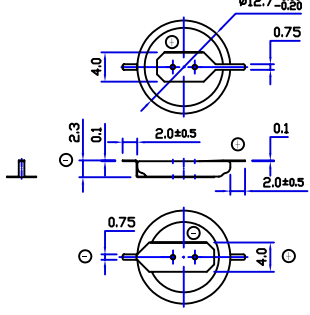
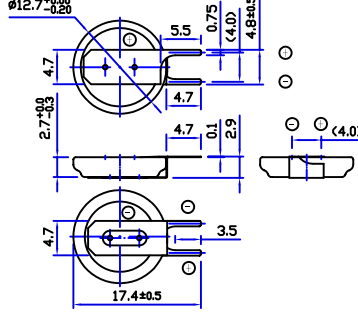
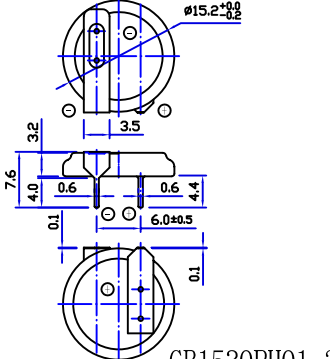
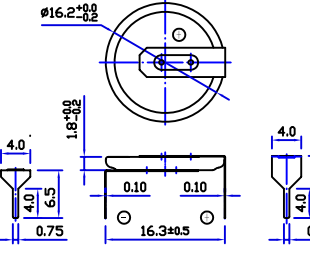
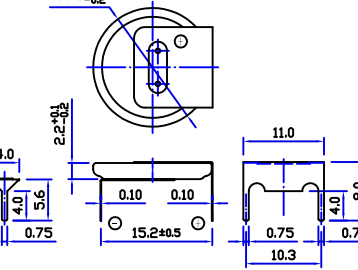
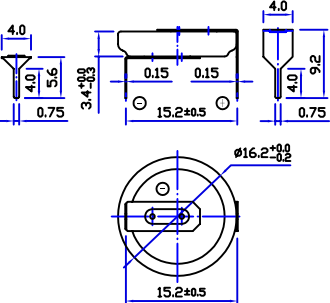
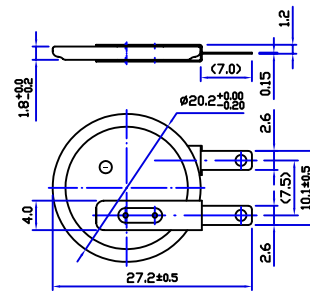
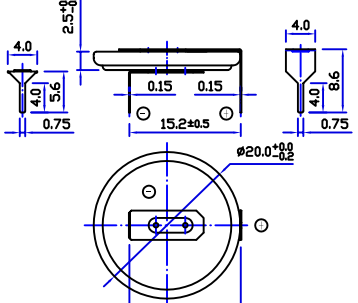
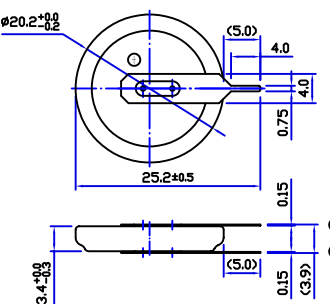
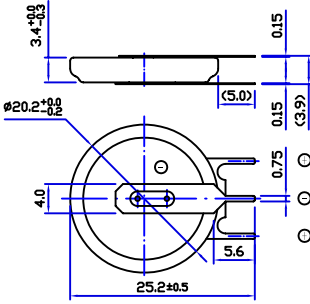
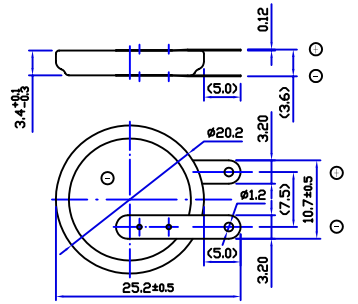


Some figures of tab-welded batteries

The products below are examples of tab-welded batteries . Customization of tab is available upon request.

Unit : mm

 <p>CR1025TH40-2</p>	 <p>CR1220TVZ20</p>	 <p>CR1225PZ10</p>
 <p>CR1530PH01-2</p>	 <p>CR1616TH32-1</p>	 <p>CR1620FTH22</p>
 <p>CR1632TH22</p>	 <p>CR2016GVZ301</p>	 <p>CR2025TH22</p>
 <p>CR2032TV10</p>	 <p>CR2032FTV10</p>	 <p>CR2032GV30</p>